

# SPECIFICATION

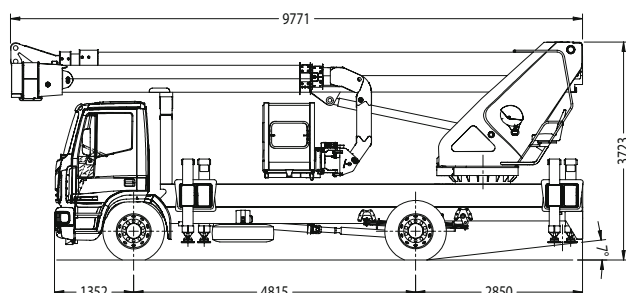
## B-LIFT 430 HR

- Telescopic boom (3 elements) (main boom + 2 extensions) • Extra long main jib with double extension and 180° swivelling angle • Secondary jib with 180° swivelling angle • Hydraulic and electric supply fitted on cable carrier chain inside main boom and jib • Automatic management system of secondary jib movements • 570° slewing turret on bearing turntable and gearmotor with negative hydraulic brake • Ground control station with remote umbilical cord controls • Turret and basket control stations with multifunction integrated colour display • Proportional electrohydraulic controls with simultaneous manoeuvres (ergonomic joysticks) • Vehicle cab anticollision devices • Automatic basket and boom centring device • Automatic steady tangential speed management system • Automatic return to transport position • Intercom communication device integrated on control station • Engine start/stop control from basket and ground • Hydraulically extendable aluminium basket • 90° Right + 90° Left hydraulic rotating basket • Electronic basket levelling • Basket load sensing device • Automatic working range delimitation (180°) with outriggers extended only on one side (left/right) • Working range with outriggers not extended (narrow jacking) • Auxiliary stand-by electro-hydraulic power pack, supplied by truck battery • Water or compressed air socket in the basket • 230 V AC CE Electric socket in the basket

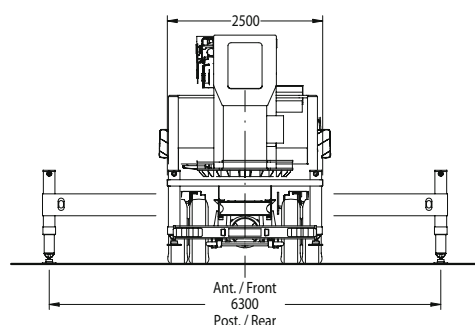
### PERFORMANCE

Working height	42,5 m	Capacity	120/280/450 kg
Platform height	40,5 m	Basket dim.	2400/3600 x900x1100 mm
Working outreach	25,6/22,3/19,4 m	GVW minimum	18 t

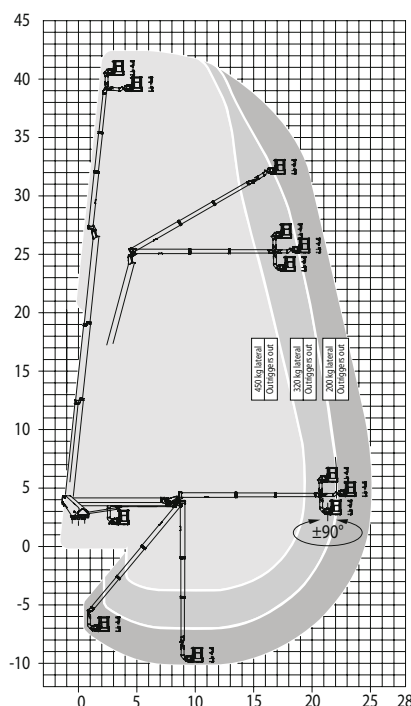
### DIMENSIONS



### OUTRIGGER FOOTPRINT



### WORKING ENVELOPE



Product specifications are subject to change without notice or obligation. Technical features and drawings in this brochure are for illustrative purposes only. \_Blift\_430HR\_EH\_2011\_07



**CTE S.p.A.**

Headquarter and Factory - Rovereto (Tn): via Caproni, 7  
ph. +39 0464.48.50.50 - fax +39 0464.48.50.99

Factory - Bertinoro (Fc): viale 2 Agosto, 670  
ph. +39 0543.44.88.30 - fax +39 0543.44.83.43

e-mail: [info@ctelift.com](mailto:info@ctelift.com)

CTE UK Ltd - Enderby Leicestershire - UK  
CTE FRANCE Sas - Achères - Saint Clair du Rhone - France



[www.ctelift.com](http://www.ctelift.com)