

## ARTICULATED TRUCK MOUNTED PLATFORMS

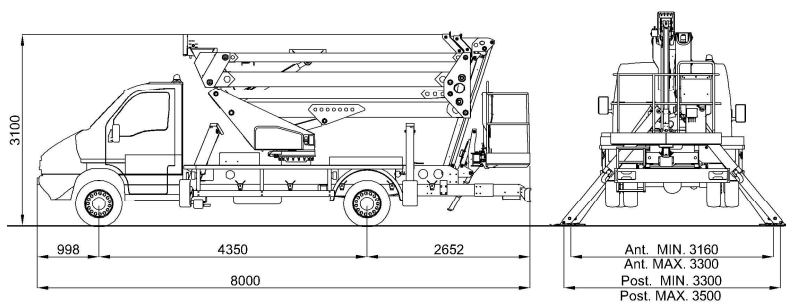
# SPECIFICATION

## ZED 26 JL on Iveco Daily – 6 T

### TECHNICAL DATA

- Double pantograph + telescopic boom (main boom + two extensions)+ jib
- Sigma boom movement enabled by connecting rods
- 360° continuous turret rotation on bearing turntable
- Proportional, electrohydraulic controls in basket and ground
- Engine start and stop controls from basket and ground
- Anti-slip, aluminium flatbed decking with tool tray walls
- Aluminium basket
- 65° right + 65° left hydraulic basket rotation
- Automatic hydraulically actioned basket levelling
- Basket load sensing device
- 4 hydraulic outriggers with ground pressure sensors
- Hydraulic system operated by vehicle's PTO
- 230 V AC CE electrical socket in the basket
- 1 flashing beacon
- Buzzer indicating PTO engaged
- Hour meter
- Standard boom colours blue (RAL 5017) or white (RAL 9010)
- CE certified

### DIMENSIONS



### PERFORMANCE

Working height	26m
Plataform height	24m
Working outreach	14m
Capacity	230 kg
Basket dim	1800x700x1100 mm
GVW minimum	6t

### WORKING ENVELOPE

