

# SPECIFICATION

## ZED 17

### TECHNICAL DATA

- Double pantograph + telescopic arm with single extension
- Sigma boom movement enabled by connecting rods
- 360° continuous turret rotation on bearing turntable
- Turret rotation safety device
- Individual, proportional and electrohydraulic controls in basket
- Engine start and stop controls from basket
- Anti-slip aluminium flatbed decking
- Basket base in composite material with aluminium guardrails
- Automatic hydraulically actioned basket levelling
- 65° Right + 65° Left hydraulic basket rotation
- N° 4 hydraulic outriggers with ground pressure sensors
- Hydraulic system operated by vehicle's PTO
- Buzzer indicating PTO engaged
- Hour meter
- 230 V AC EC electrical socket in the basket
- Standard boom colours blue (RAL 5017) or white (RAL 9010)
- CE certified

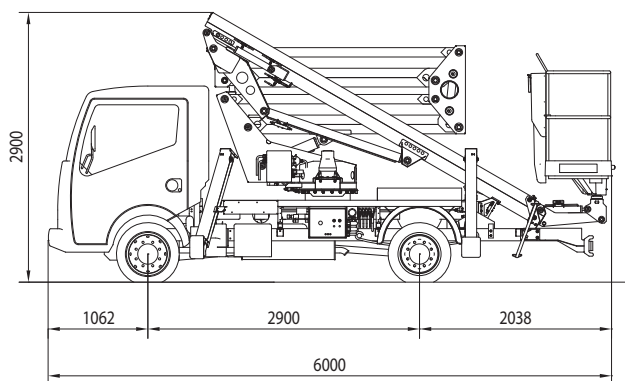
### PERFORMANCE

Working height	17,2 m
Platform height	15,2 m
Working outreach	7,7 m
Capacity	200 kg
Basket dim.	1400x700x1100 mm
GVW minimum	3,5 t

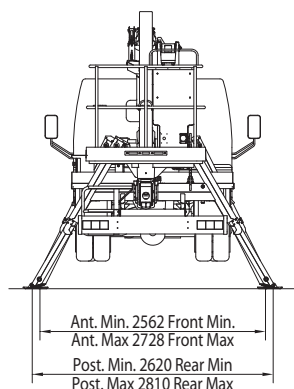
*Zed 17 L version available with long cab as optional.*



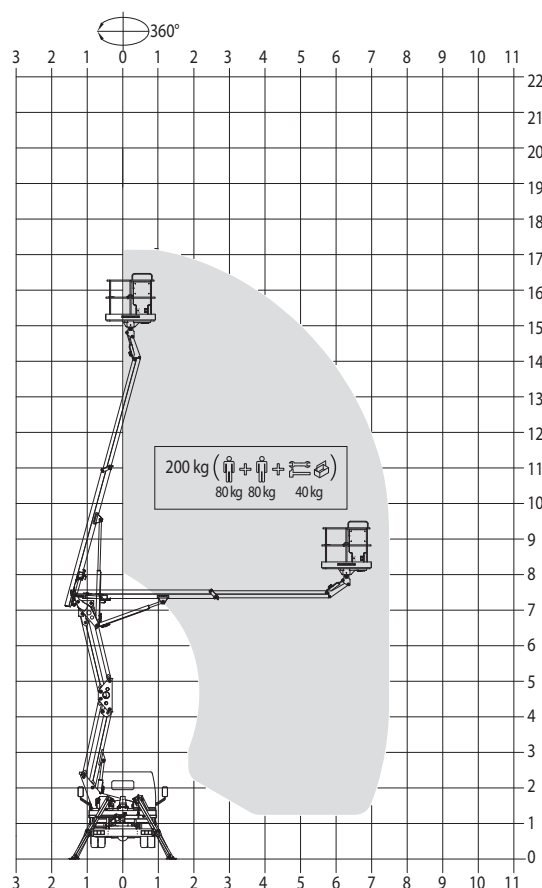
## DIMENSIONS



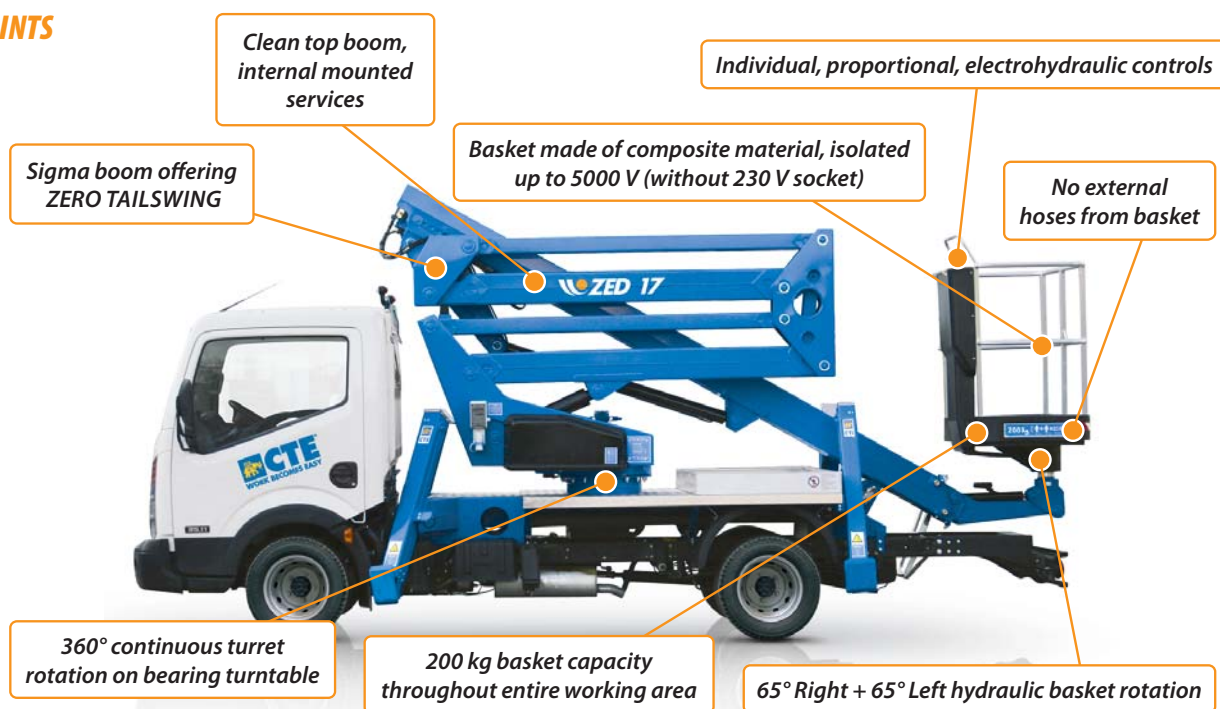
## OUTRIGGER FOOTPRINT



## WORKING ENVELOPE



## KEY POINTS



CTE S.p.A. | [www.ctelift.com](http://www.ctelift.com)

Sales Office Dolo (Ve) - [dolo@ctelift.com](mailto:dolo@ctelift.com)  
 ph. +39 041 51.00.130 - fax +39 041 41.38.44  
 Headquarter Rovereto (Tn) - [info@ctelift.com](mailto:info@ctelift.com)  
 ph. +39 0464 48.50.50 - fax +39 0464 48.50.99  
 Milano Branch S. Giuliano Milanese (Mi) - [milano@ctelift.com](mailto:milano@ctelift.com)  
 ph. +39 02 98.81.100 - fax +39 02 98.28.20.96  
 Bertinoro Branch & Factory (FC) - [bertinoro@ctelift.com](mailto:bertinoro@ctelift.com)  
 ph. +39 0543 44.88.30 - fax +39 0543 44.83.43

