

SPECIFICATION

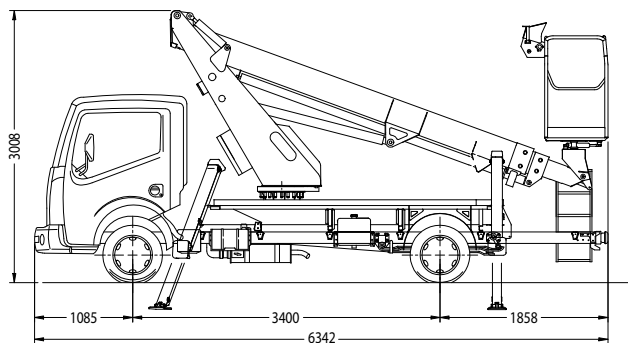
B-LIFT 162 PRO (version with A-frame outriggers)

- Telescopic boom (3 elements) (main boom + 2 telescopic extensions) • 540° non continuous turret rotation on bearing turntable • Proportional electrohydraulic controls with simultaneous manoeuvres (ergonomic joysticks) • Engine start/stop control from basket
- Anti slip aluminium flatbed decking • Aluminium basket • System to automatically limit the outreach depending on the weight in the basket
- 60° Right + 60° Left electric rotating basket • Automatic basket levelling by hydraulic parallelogram • N° 4 hydraulic outriggers with ground pressure sensors • 230 V AC CE Electric socket in the basket • Buzzer when PTO is coupled with disconnected hand brake
- Hour meter • N° 1 flashing beacon • Ground control station with display

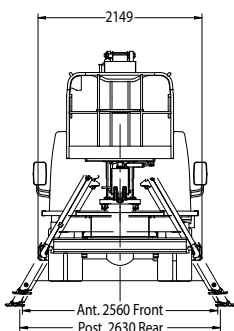
PERFORMANCE

Working height	16,5 m	Capacity	80/200/250 kg
Platform height	14,5 m	Basket dim.	1400x700x1100 mm
Working outreach	11,2/8,7 m	GVW minimum	3,5 t

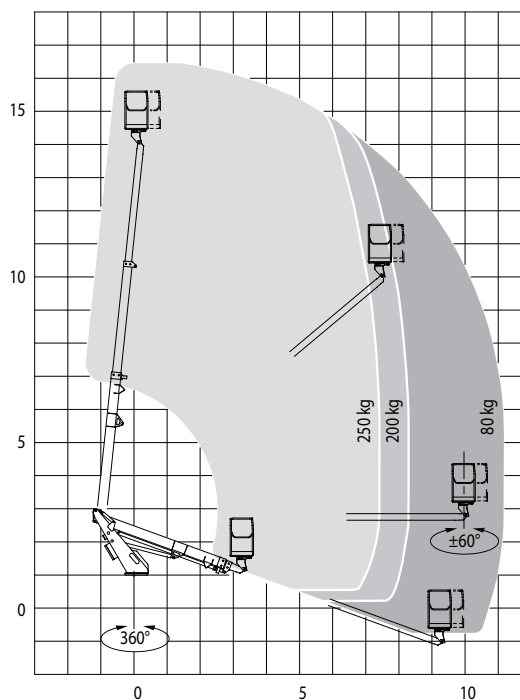
DIMENSIONS



OUTRIGGER FOOTPRINT



WORKING ENVELOPE



The KIT EASY version is available for assembly on trucks with a g.v.w. of more than 3,5 ton, outside the CE countries.

CTE S.p.A. | www.ctelift.com

Sales Office Dolo (Ve) - dolo@ctelift.com
 ph. +39 041 51.00.130 - fax +39 041 41.38.44
 Headquarter Rovereto (Tn) - info@ctelift.com
 ph. +39 0464 48.50.50 - fax +39 0464 48.50.99
 Milano Branch S. Giuliano Milanese (Mi) - milano@ctelift.com
 ph. +39 02 98.81.100 - fax +39 02 98.28.20.96
 Bertinoro Branch & Factory (FC) - bertinoro@ctelift.com
 ph. +39 0543 44.88.30 - fax +39 0543 44.83.43

