



INTRODUCING

THE ALL NEW

# ECO CRANES



## ECO-095 & ECO-295

Introducing the latest in mini crane engineering, the UNIC battery powered Eco-095 and Eco-295 models provide fume-free lifting for sensitive environments.

Ideal for food processing plants, listed buildings, airports, clean environments and even cruise ships, these unique spider cranes are powered by a rechargeable 48v battery with no diesel emissions impacting on the surrounding atmosphere.

Measuring just 750mm wide, the new Eco spider cranes are designed for interior access and retain all the lifting power of our standard models without compromising on operational efficiency.

Alongside cutting edge technology, these innovative machines are the first spider cranes to feature low marking wheels for ultimate manoeuvrability when working on light-coloured or polished floor surfaces, making them the ideal choice for shopping centres, galleries, hospitals and more

### Key Features

- Total width: 0.75m
- Max. working radius: 8.41m
- Multi-position configurable outriggers (Eco-095)
- Operator control of outrigger extension
- Intelligent voice warning system
- Preliminary stability warning system with motion cut
- Radio remote control as standard
- Working area limitation (Eco-295)
- Optional slew limitation (Eco-295)

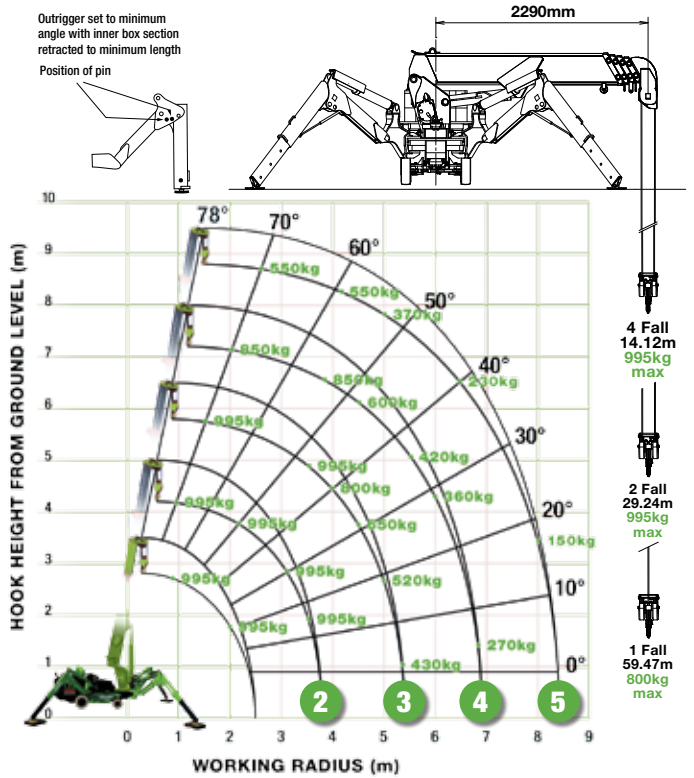
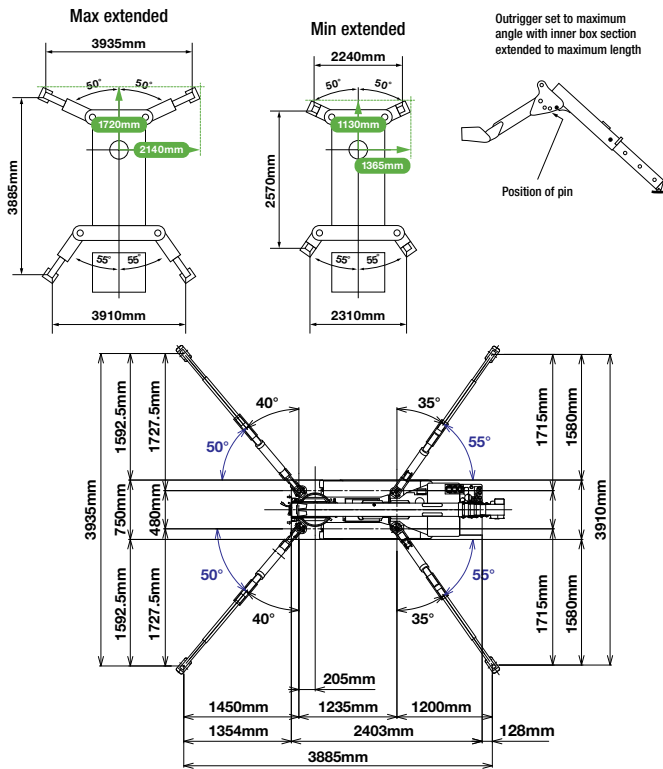
### Crane Specifications

Crane capacity	Eco-095: Eco-295:	0.995t x 3.5m 2.9t x 1.4m
Max working radius	max:	8.41m
Max lifting height	max:	8.9m
Rope length	max:	14.12m (4 fall), 29.24m (2 fall), 59.47m (1 fall)
Dimensions	folded:	2730mm (l) x 750mm (w) x 1560mm (h)
Weight	unladen:	2425kg (2490kg with jib)
Point loadings	Due to the many variables involved, point loadings are only available on request	
Hook speed	approx:	4.7m/min (with 4 layers and 4 falls)
Telescopic system	boom length:	2.53 - 8.65m
	telescoping speed:	6.12m/40 seconds
	boom type:	5 section hydraulically telescoping boom, hexagonal box construction
Derricking angle/speed	approx:	0 - 78°/21 seconds
Slewing angle/speed	approx:	360° (continuous) 1.5 rpm
Travelling system	drive:	hydraulic motor wheeled drive
	travel speed:	1.5-1.8km/h
	steering angle:	50° left and 50° right
	min. turning radius:	outer 1990mm x inner 510mm
Size of tyres	gradeability:	±20°
	front:	4.00-8 (wheel RIM 3.00 D-8)
	rear:	3.50-5 (wheel RIM 3.00 SP-5)
Power source	power:	3.1kW (AC motor)
	voltage:	48v DC rechargeable battery
Battery charger	charger:	200/240v single phase (15A)
Optional equipment	1 fall hook block, 2 fall hook block, 300kg capacity small searcher hook, 700kg capacity searcher hook, 700kg capacity fly jib with single part line	

# ECO-095 (0.995t x 3.5m)



## Rated Loads & Outrigger Positions



### SECOND STAGE EXTENDED 2.53 - 4.075M BOOM LENGTH

Working radius	m	up to 1.0	1.4	1.5	1.8	2.0	2.5	3.0	3.5	3.835
Outrigger	Max-extended	kg	995	995	995	995	995	995	995	900
	Min-extended	kg	995	995	995	995	995	650	490	250

### THIRD STAGE EXTENDED 4.075 - 5.61M BOOM LENGTH

Working radius	m	up to 2.2	2.5	2.9	3.0	3.5	4.0	4.5	5.0	5.37	
Outrigger	Max-extended	kg	995	995	995	995	995	800	650	520	430
	Min-extended	kg	800	650	530	500	380	280	220	160	120

### FOURTH STAGE EXTENDED 5.61 - 7.13M BOOM LENGTH

Working radius	m	up to 3.3	3.8	4.0	4.5	5.0	5.5	6.0	6.5	6.89	
Outrigger	Max-extended	kg	850	850	750	600	500	420	360	320	270
	Min-extended	kg	420	340	300	250	190	140	100	80	60

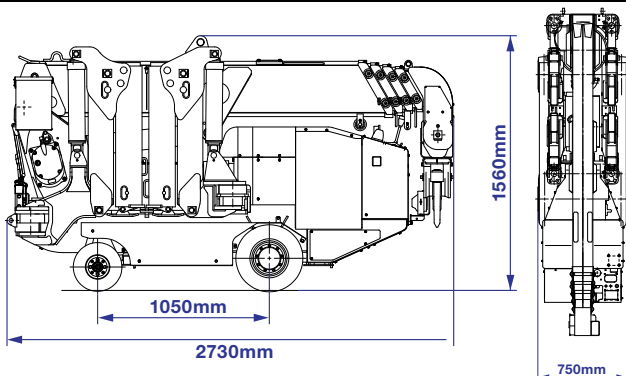
### FIFTH STAGE EXTENDED 7.13 - 8.65M BOOM LENGTH

Working radius	m	up to 3.8	4.1	4.5	5.0	5.5	6.0	6.5	7.0	8.0	8.41	
Outrigger	Max-extended	kg	550	550	450	370	310	270	230	200	150	130
	Min-extended	kg	350	290	250	200	160	130	100	70	40	30

### Optional 700kg Fly Jib & Searcher Hook



## Dimensions



## Outrigger Angle Positions

