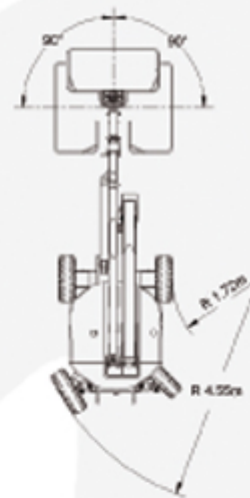
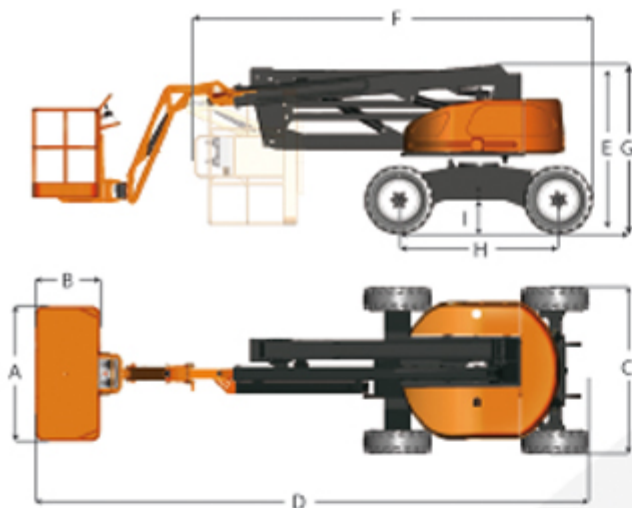




ZEBRA 16

Articulating boom ZEBRA 16





ZEBRA 16

ADVANTAGES OF ZEBRA 16

- Excellent motricity.
- Speed.
- Powerfull engine.
- Outstanding horizontal reach.
- High ground clearance.
- Easy to maintain.
- Designed and manufactured for heavy-duty use.

STANDARD FEATURES

- 4 wheel drive.
- Oscilating axle.
- On-board LCD colour diagnostic screen system.
- Overload sensor.
- Hourmeter.

OPTIONS

- 220V AC power to platform.
- Air line to platform.
- Special paint colour(s).
- 2,5 KW generator.
- Cold weather start kit.
- Flashing light.
- Motion alarm.
- Motion stop when exceeding allowed tilt >5°
- Special paint colour(s).

	ZEBRA 16
Working height	16,40 M (53 ft. 9.6 in.)
Platform height	14,40 M (47 ft. 2.9 in.)
Horizontal reach	9,30 M (30 ft. 6 in.)
Up and over clearance	7,40 M (23 ft. 7.4 in.)
Lift capacity	230 Kg (507 lbs.)
Turntable rotation (not continue)	360 °
Platform rotation	2 x 90 °
Turntable tailswing	0
Jib rotation	133 °
A Platform width	1,80 M (5 ft. 10.8 in.)
B Platform length	0,86 M (2 ft. 9.8 in.)
C Width	2,24 M (7 ft. 4.2 in.)
D Length- stowed	7,12 M (23 ft. 4.3 in.)
E Height - stowed	2,25 M (7 ft. 4.6 in.)
F Length - storage	5,10 M (16 ft. 8.8 in.)
G Height - storage	2,25 M (7 ft. 4.6 in.)
H Wheelbase	2,10 M (6 ft. 10.6 in.)
I Ground clearance centre	0,40 M (1 ft. 3.7 in.)
Turning radius - inside	1,72 M (5 ft. 7.7 in.)
Turning radius - outside	4,55 M (14 ft. 1 in.)
Tyres	33x12-20
Drive speed - stowed	6 Km/h (3.73 Mph)
Drive speed - raised	1 Km/h (0,62 Mph)
Gradeability - stowed	45 %
Maximum tilt value	5 °
Diesel engine	KUBOTA
Fuel tank capacity	60 L
Hydraulic tank capacity	85 L
Weight	7200 Kg (15 873 lbs.)
Max.ground bearing pressure	14,5 Kg/cm2
Auxiliary power unit	12 V DC

CE This product complies with European regulations in force (EN 280). Due to our constant improvement policy, ATN reserves the right to make any modifications without any prior notice.



Rue André Thevet,
Z.I.Guillaume Mon Amy Fauillet 47400 FRANCE
+33 (0) 553 798 320 +33 (0) 553 880 107
<http://www.atnplatforms.com>

